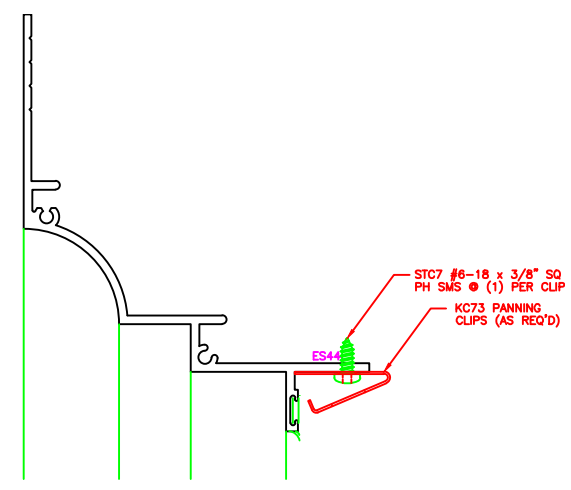


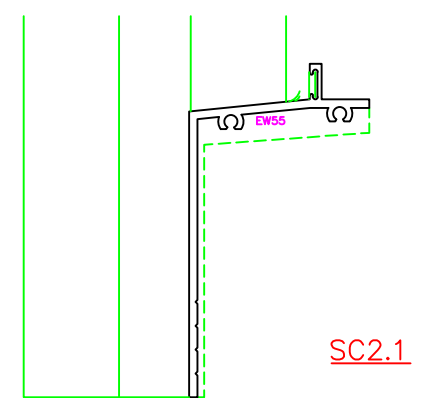
ERECTOR NOTE:
 BACK BED WITH SEALANT BEFORE
 THE WINDOW IS INSTALLED OR CAP
 SEAL AFTER THE WINDOW IS INSTALLED
 TO INSURE A WATERTIGHT SEAL.

SLQ3 #8-18 X 1 1/4
 SQ-PH-SMS 18-B B-LEAD POINT



STC7 #6-18 x 3/8" SQ
 PH-SMS (1) PER CLIP
 KC73 PANNING
 CLIPS (AS REQ'D)

ES4



EW55

SC2.1