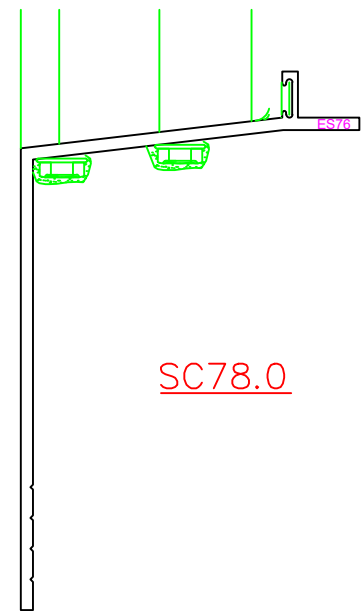
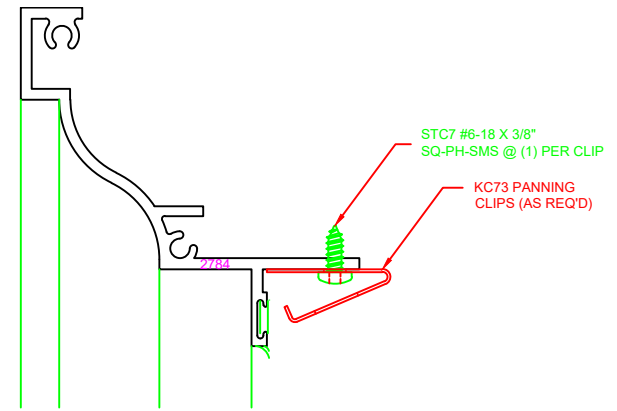
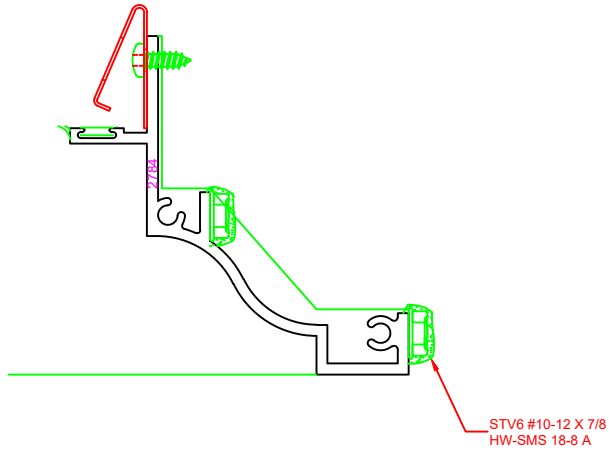
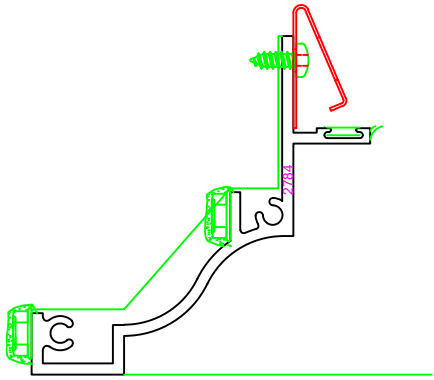


**ERECTOR NOTE:**

BACK BED WITH SEALANT BEFORE  
THE WINDOW IS INSTALLED OR CAP  
SEAL AFTER THE WINDOW IS INSTALLED  
TO INSURE A WATERTIGHT SEAL.



SC78.0